

# TEAC

## SERVICE MANUAL

# MC-DX40/MC-DX40DAB

## Micro Hi-Fi System



### NOTES

- PC boards shown are viewed from parts side.
- The parts with no reference number or no parts number in the exploded views are not supplied.
- As regards the resistors and capacitors, refer to the circuit diagrams supplied prior to this manual.
- ⚠ Parts marked with this sign are safety critical components. They must be replaced with designated components.
- Destination of product is expressed by [ ] mark and ensure exact replacement:  
[EUR] - Europe; [UK] - UK

### CONTENTS

<b>1 SPECIFICATIONS</b> .....	2
<b>2 MICROCONTROLLER PIN FUNCTIONS</b> .....	3
<b>3 EXPLODED VIEW AND PARTS LIST</b> .....	6
<b>4 PC BOARDS AND PARTS LISTS</b> .....	9
<b>5 INCLUDED ACCESSORIES</b> .....	18

# MC-DX40/MC-DX40DAB

## 1 SPECIFICATIONS

### Amplifier Section

Output power (L+R)	10 W + 10 W (MC-DX40 only) 5 W + 5 W (MC-DX40DAB only)
Output power (Subwoofer)	15 W
Input sensitivity	500 mV
Frequency response	50 to 20,000 Hz

### Radio Section (FM)

Frequency range	87.5 to 108.0 MHz (50 kHz step)
Sensitivity (S/N30dB)	10 dB $\mu$ V/m

### Radio Section (AM)

	(MC-DX40 only)
Frequency range	522 to 1,629 kHz (9 kHz step)
Sensitivity (S/N20dB)	54 dB $\mu$ V/m

### Radio Section (DAB)

	(MC-DX40DAB only)
Frequency range	Band III: 5A to 13F (174.928 MHz to 239.200 MHz)

### CD Player Section

Frequency response	20 to 20,000 Hz( $\pm$ 1dB)
Signal-to-Noise Ratio	55dB
Wow and Flutter	Unmeasurable

### Speaker

Type	Full range flat type
Impedance	4 ohms

### GENERAL

Power requirements	230V AC,50Hz
Power consumption	74 W (Standby:0.35 W)

### Dimensions (W x H x D)

Main Unit	247 x 169.5 x 83 mm
L & R Speakers	210 x 169.5 x 85 mm
Subwoofer	170 x 220 x 325 mm

### Weight (Net)

Main Unit	13 kg
L & R Speakers	0.6 kg each
Subwoofer	4.8 kg

### Standard Accessories

Remote control unit (RC-1195) x 1 MC-DX40 only  
(RC-1200) x 1 MC-DX40DAB only

Battery for remote control unit (CR2025) x 1

Subwoofer cable x 1

Speaker cable x 2

FM antenna x 1

AM antenna x 1

Wall mounting bracket for speaker x 4

Wall mounting bracket for main unit x 4

Screw x 8

Guide sheet for wall mounting x 1

Owner's manual x 1

Quick guide for connection x 1

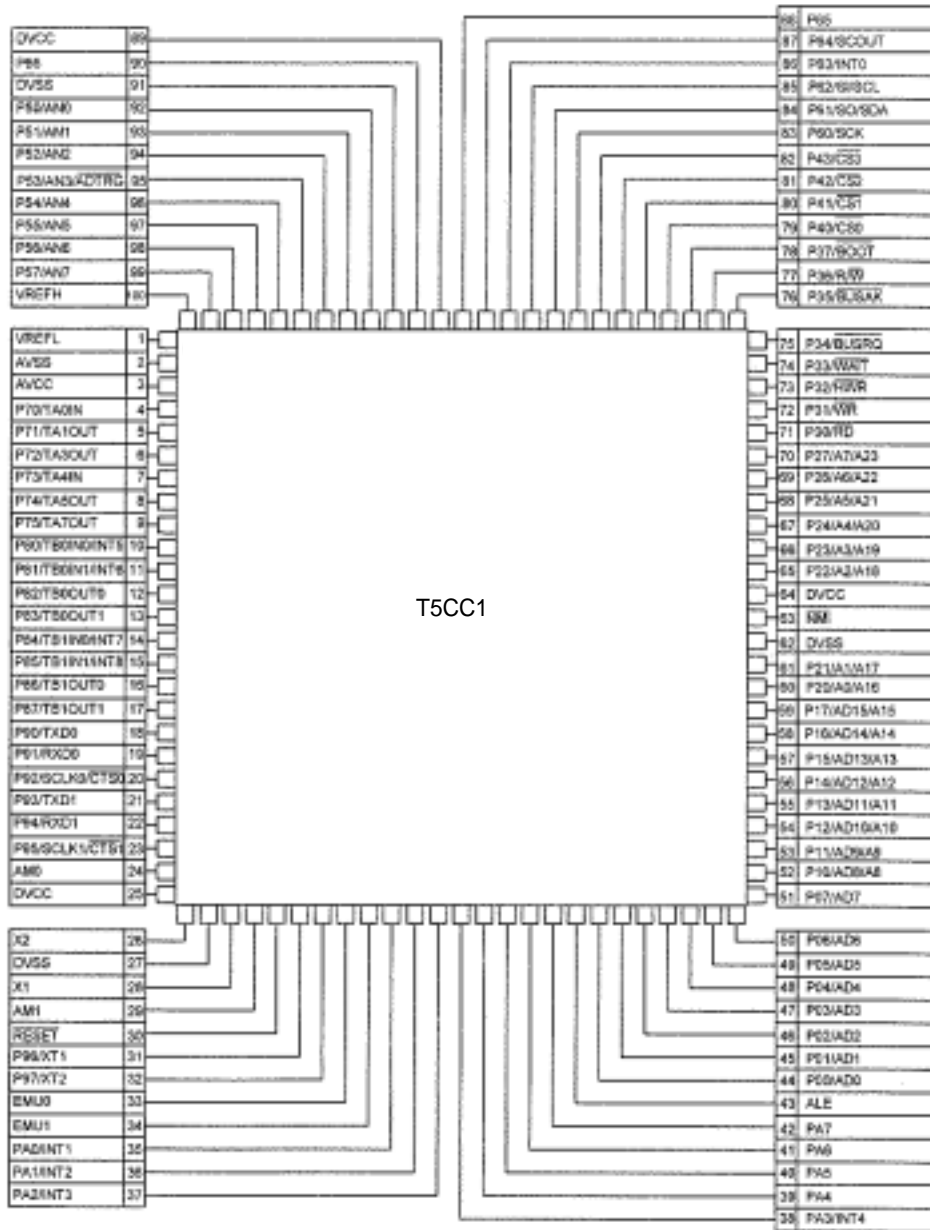
Warranty card x 1

- Design and specifications are subject to change without notice.
- Weight and dimensions are approximate.
- Illustrations may differ slightly from production models.

# MC-DX40/MC-DX40DAB

## 2 MICROCONTROLLER PIN FUNCTIONS

T5CC1, MAIN PCBA IC 21  
2-1 Pin Assignment



# MC-DX40/MC-DX40DAB

## Pin Functions

pin No	Port Name	Description	I/O	Use		Status				Note
				ON	Pull-up	NoUse	init	stby	Act.	
1	VREF	VREFL								ADC Reference LOW( GND )
2	AVSS	AVSS								ADC_GND
3	AVCC	MCU +3.3V								MCU power
4	P70/TA0IN	N.C	I/O		X	OPEN	I			
5	P71/TA1OUT	N.C	I/O		X	OPEN	I			
6	P72/TA3OUT	N.C	I/O		X	OPEN	I			
7	P73/TA4IN	N.C	I/O		X	OPEN	I			
8	P74/TA5OUT	N.C	I/O		X	OPEN	I			
9	P75/TA7OUT	N.C	I/O		X	OPEN	I			
10	P80/TB0IN0/INT5	N.C	I/O		X	OPEN	I			
11	P81/TB0IN1/INT6	N.C	I/O		X	OPEN	I			
12	P82/TB0OUT0	N.C	I/O		X	OPEN	I			
13	P83/TB0OUT1	N.C	I/O		X	OPEN	I			
14	P84/TB1IN0/INT7	VFD_RESET	I/O	O	X		I	H	L	vfd reset
15	P85/TB1IN1/INT8	VFD_DO	I/O	O	X		I	-	-	vfd data
16	P86/TB1OUT0	VFD_CS	I/O	O	X		I	-	-	vfd chip select
17	P87/TB1OUT1	VFD_CLK	I/O	O	X		I	-	-	vfd clock
18	P90/TXD0	DAB TXD	I/O	O	X		I	-	-	DAB TXD
19	P91/RXD0	DAB RXD	I/O	I	X		I	-	-	DAB RXD
20	P92/SCLK0/CTS0	N.C	I/O		X	OPEN	I			
21	P93/TXD1	UPDATE_TXD	I/O	O	X		I	-	-	MCU Updata TXD
22	P94/RXD1	UPDATE_RXD	I/O	I	X		I	-	-	MCU Updata RXD
23	P95/SCLK1/CTS1	P_DWN	I/O	I	X		I	I	L	Power down
24	AM0	MCU +3.3V								chip operate select,
25	DVCC	MCU +3.3V								MCU power,
26	X2	X- ta(27MHZ)		O				-		oscillator(27MHz)
27	DVSS	GND								GND
28	X1	X- ta(27MHZ)		I				-		oscillator(27MHz)
29	AM1	MCU +3.3V								chip operate select
30	RESET	Reset	I	I			I	I	L	MCU reset
31	P96/XT1	X- ta(32.768KHZ)		I						RTC oscillator(32.768KHz)
32	P97/XT2	X- ta(32.768KHZ)		O						RTC oscillator(32.768KHz)
33	EMU0	N.C	O			OPEN				
34	EMU1	N.C	O			OPEN				
35	PA0/INT1	REMOTE_IN	I	I	X		I	-	-	remote in
36	PA1/INT2	RDS_CLK	I	I	X		I	-	-	rds clock
37	PA2/INT3	EX_INT.	I	I	O		I		L	
38	PA3/INT4	BUS_IN	I	I	X		I	-	-	bus input
39	PA4	ST-BY_LED	I/O	O	X		I	L	H	Stand-by LED control
40	PA5	DAB_ON	I/O	O	X		I	H	L	dab on
41	PA6	PWR_ON	I/O	O	X		I	L	H	power on
42	PA7	FM/AM_ON	I/O	O	X		I	H	L	FM/AM on
43	ALE	N.C			X	OPEN				
44	P00/AD0	SYSTEM_MUTE	I/O		X		I	H	L	system mute
45	P01/AD1	N.C	I/O		X	OPEN				
46	P02/AD2	N.C	I/O		X	OPEN				
47	P03/AD3	N.C	I/O		X	OPEN				
48	P04/AD4	N.C	I/O		X	OPEN				
49	P05/AD5	N.C	I/O		X	OPEN				
50	P06/AD6	N.C	I/O		X	OPEN				
51	P07/AD7	BUS_OUT	I/O	O	X		I	-	-	Bus output
52	P10/AD8/A8	N.C	I/O		X	OPEN				
53	P11/AD9/A9	N.C	I/O		X	OPEN				
54	P12/AD10/A10	N.C	I/O		X	OPEN				
55	P13/AD11/A11	N.C	I/O		X	OPEN				
56	P14/AD12/A12	N.C	I/O		X	OPEN				
57	P15/AD13/A13	N.C	I/O		X	OPEN				
58	P16/AD14/A14	RTC_SQW/OUT	I/O	I	X	OPEN	I	-	-	RTC SQW/OUT
59	P17/AD15/A15	RTC_CLK	I/O	O	X	OPEN	I	-	-	Real time ic clock
60	P20/A0/A16	RTC_DOUT	I/O	O	X	OPEN	I	-	-	Real time ic data
61	P21/A1/A17	RTC_SWITCH	I/O	I	O		I	-	-	Remote selector( system or single )
62	DVSS	GND								GND
63	NMI	MCU +3.3V								MCU power
64	DVCC	MCU +3.3V								MCU power
65	P22/A2/A18	N.C	I/O		X	OPEN				
66	P23/A3/A19	N.C	I/O		X	OPEN				
67	P24/A4/A20	N.C	I/O		X	OPEN				
68	P25/A5/A21	N.C	I/O		X	OPEN				
69	P26/A6/A22	N.C	I/O		X	OPEN				
70	P27/A7/A23	N.C	I/O		X	OPEN				

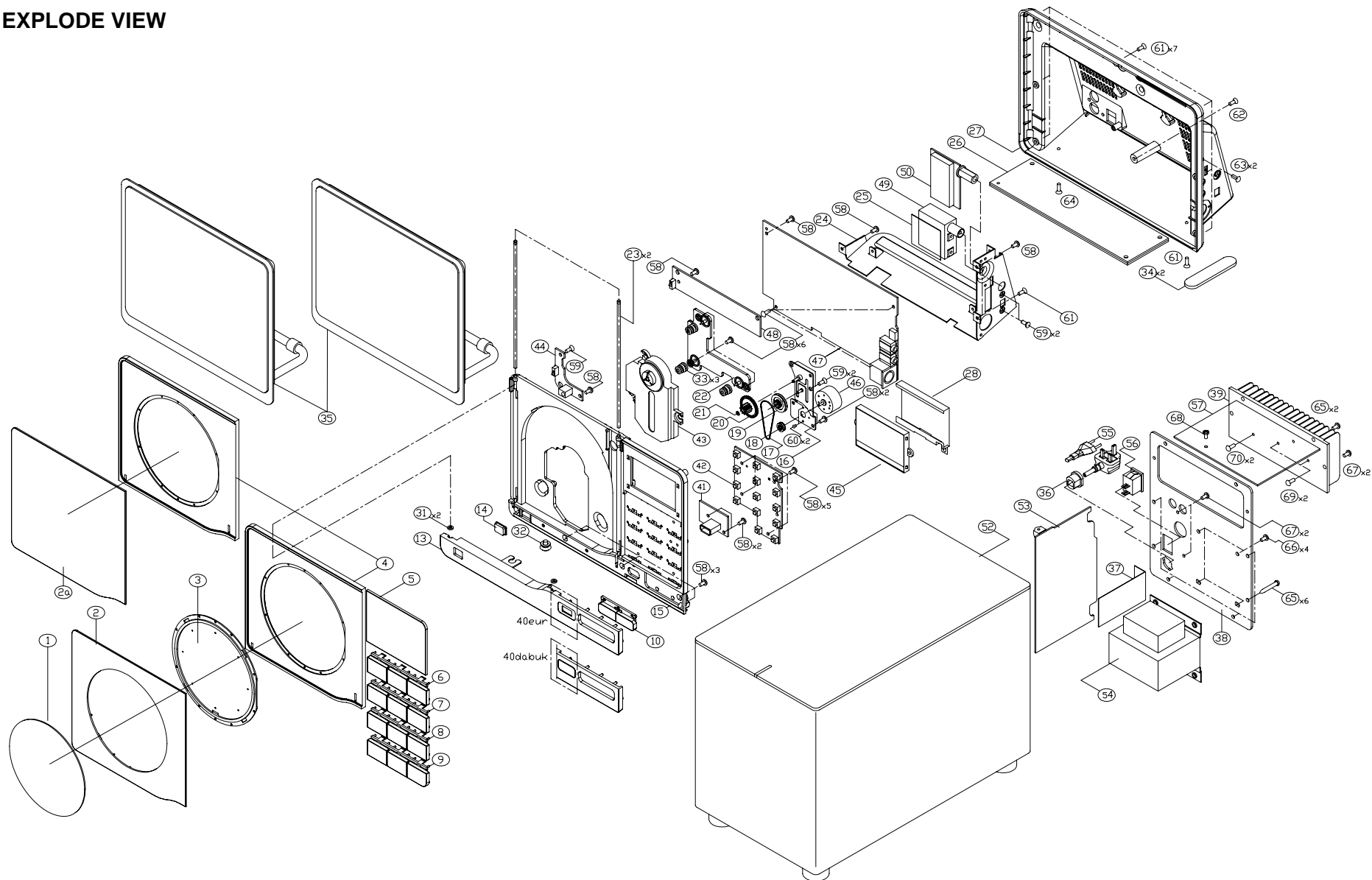
# MC-DX40/MC-DX40DAB

pin No	Port Name	Description	I/O	Use		Status			Note	
				ON	Pull-up	NoUse	init	stby		Act.
71	P30/RD	N.C	I/O		X	OPEN				
72	P31/WR	N.C	I/O		X	OPEN				
73	P32/HWR	EEPROM_DATA	I/O	O	O		I	-	-	EEPROM DATA
74	P33/WAIT	EEPROM_CLK	I/O	O	O		I	-	-	EEPROM CLOCK
75	P34/BUSRQ	DAB_SYS_RST	I/O	O	O		I	-	-	DAB system reset(Does not use)
76	P35/BUSAK	N.C	I/O	I	O		I	-	-	
77	P36/R/W	N.C	I/O	X	OPEN					
78	P37/BOOT	BOOT_MODE	I/O	O	O		I	H	L	update mode select
79	P40/CS0	N.C	I/O	X	OPEN					
80	P41/CS1	N.C	I/O	X	OPEN					
81	P42/CS2	RDS_DATA	I/O	I	X		I	-	-	tuner RDS data input
82	P43/CS3	PLL_CE	I/O	O	X		I	-	-	tuner PLL ic enable
83	P60/SCK	PLL_CLK	I/O	O	X		I	-	-	tuner PLL IC clock
84	P61/SO/SDA	PLL_DOUT	I/O	O	X		I	-	-	tuner PLL IC data out
85	P62/SI/SCL	PLL_DIN/O		I	X		I	-	-	tuner PLL IC data input
86	P63/INT0	T_MUTE	I/O	I	O		I	-	-	tuner PLL IC mute
87	P64/SCOUT	TUNED_IN	I/O	I	O		I	-	L	tuned in
88	P65	STEREO_IN	I/O	I	O		I	-	L	stereo in
89	DVCC	MCU +3.3V								MCU power
90	P66	N.C	I/O		X	OPEN	I			
91	DVSS	GND								GND
92	P50/AN0	KEY0	I	I	O		I	-	-	key0 input
93	P51/AN1	KEY1	I	I	O		I	-	-	key1 input
94	P52/AN2	N.C	I	I	O		I	-	-	
95	P53/AN3/ADTRG	SCROL_UP	I	I	O		I	-	-	Scrol up
96	P54/AN4	SCROL_DWN	I	I	O		I	-	-	scrol down
97	P55/AN5	V_PROTECT	I	I	O		I	-	-	voltage protect
98	P56/AN6	N.C	I		O					
99	P57/AN7	OPTION	I	I	O		I	-	-	Version Option
100	VREFH	MCU +3.3V								ADC Reference HIGH( VCC )

# MC-DX40/MC-DX40DAB

## 3 EXPLODED VIEWS AND PARTS LIST

### EXPLODE VIEW



# MC-DX40/MC-DX40DAB

## EXPLODED VIEW

REF. NO.	PARTS NO.	DESCRIPTION	REMARKS
1		ORNAMENT , DOOR A (40B)	
		ORNAMENT , DOOR A (40S)	
2		ORNAMENT , DOOR B (40B)	
		ORNAMENT , DOOR B (40S)	
2a		WINDOW , DOOR (40HB/40DABB)	
3		WINDOW , DOOR (40B/40S)	
4	CGR1A458ZA	CD DOOR ASSY (40B)	
	CGR1A458YA	CD DOOR ASSY (40S)	
	CGR1A458XA	CD DOOR ASSY (40HB/40DABB)	
5	CGU1A428ZA30	WINDOW, LCD (40B/40HB/40DABB)	
	CGU1A428YA30	WINDOW, LCD (40S)	
6	CBT1A1090ZB38	KNOB, FUNCTION A (40B)	
	CBT1A1090W	KNOB, FUNCTION A (40HB)	
	CBT1A1090M7WG5	KNOB, FUNCTION A (40S)	
	CBT1A1090Z	KNOB, FUNCTION A (40DABB)	
7	CBT1A1090YB38	KNOB , FUNCTION A (40B)	
	CBT1A1090W	KNOB , FUNCTION A (40HB)	
	CBT1A1090M7VG5	KNOB , FUNCTION A (40S)	
	CBT1A1090Y	KNOB , FUNCTION A (40DABB)	
8	CBT1A1090ZB38	KNOB , FUNCTION A (40B)	
	CBT1A1090X	KNOB , FUNCTION A (40HB)	
	CBT1A1090M7WG5	KNOB , FUNCTION A (40S)	
	CBT1A1090Z	KNOB , FUNCTION A (40DABB)	
9	CBT1A1091ZB38	KNOB , FUNCTION B (40B)	
	CBT1A1091Y	KNOB , FUNCTION B (40HB)	
	CBT1A1091M7YG5	KNOB , FUNCTION B (40S)	
	CBT1A1091Z	KNOB , FUNCTION B (40DABB)	
10	CBT1A1092ZB38	KNOB , VOLUME (40B/40HB/40DABB)	supplied under mane of KNOB , POWER A
	CBT1A1092M7YG5	KNOB , VOLUME (40S)	supplied under mane of KNOB , POWER A
11		Not in use	
12		Not in use	
13	CGR1A461ZB38	ORNAMENT , FRONT A (40B/40HB)	
	CGR1A461M7YG5	ORNAMENT , FRONT A (40S)	
	CGR2A461ZB38	ORNAMENT , FRONT A (40DABB)	
14	CGU1A429A8	WINDOW , SENSOR	
15	CGW1A469B38	PANEL , FRONT (40B/40HB/40DABB)	
	CGW1A469M7G53	PANEL , FRONT (40S)	
16	CMD1A685	BRACKET , MOTOR	
17	CDV1A006	BELT	
18	CDR1A002	PULLY	
19	CGR1A029	GEAR , PULLY	
20	CDG1A028	GEAR , CD DOOR	
21	CNW1A043	WASHER	
22	CMH1A290	SUPPORT , CD MECH	
23	CDF1A025	SHAFT , DOOR	
24	CUA1A290	PLATE , BOTTOM	
25	CMX1A261	INSULLATOR , TUNER	
26	CUA1A291	PLATE , WEIGHT	
27	CKD2A066ZB38	COVER REAR (40B/40HB)	
	CKD2A066M7YG5	COVER REAR (40S)	
	CKD3A066VB38	COVER REAR (40DABB)	
28	CMC1A356	PLATE , EARTH	
29		Not in use	

# MC-DX40/MC-DX40DAB

## EXPLODED VIEW

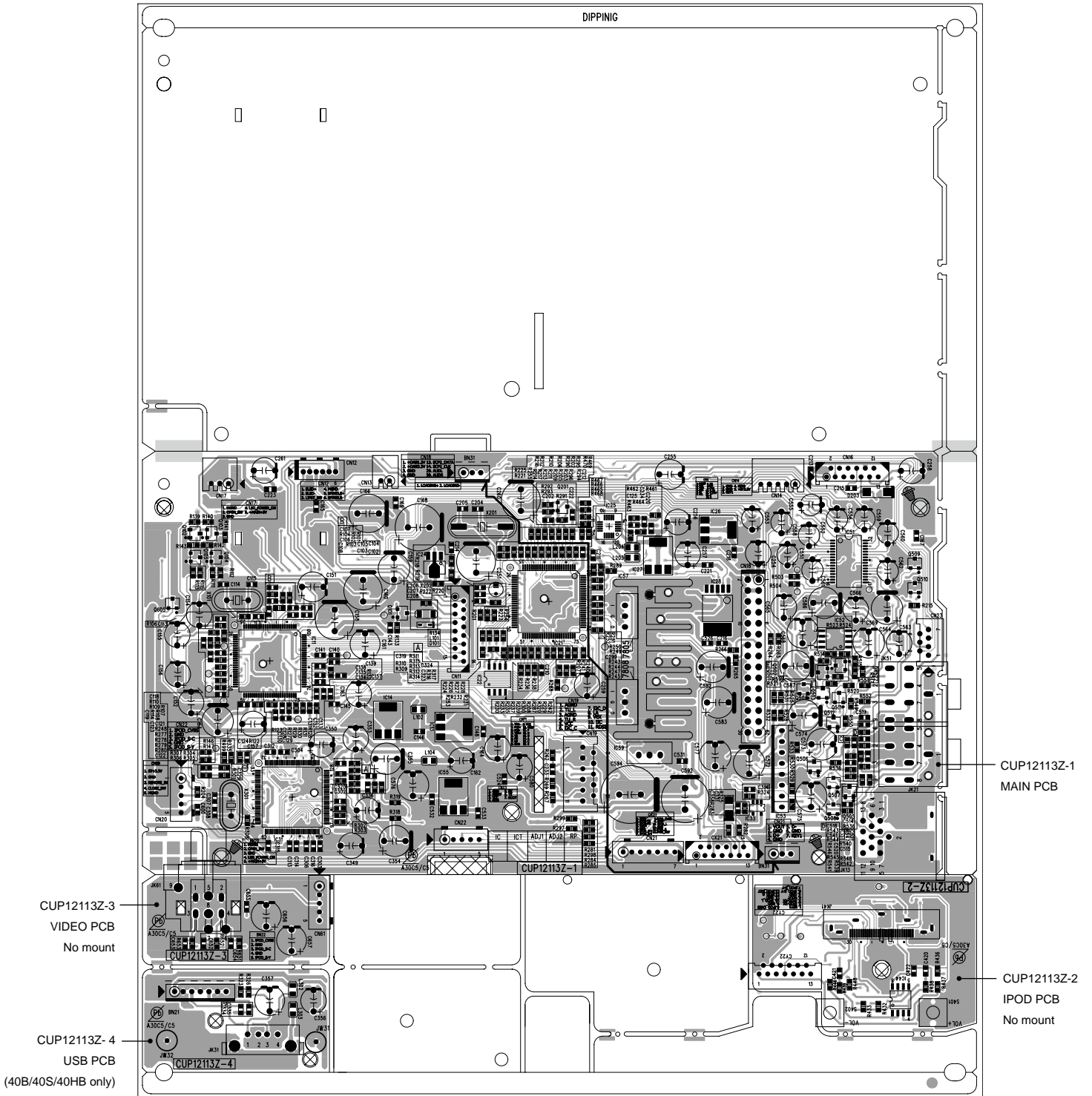
REF. NO.	PARTS NO.	DESCRIPTION	REMARKS
30	Not in use		
31	CHG1A417	RUBBER , SHAFT	
32	CHG1A415Y	ABSORBER , MECH (B)	
33	CHG1A416Z	ABSORBER , MECH (A)	
34	CHG1A418	FOOT , SET	
35	CASDX40NXTBK	NXT SPEAKER (40B/40HB)	
	CASDX40NXTSL	NXT SPEAKER (40S)	
	CASDX450NXTBK	NXT SPEAKER (40DABB)	
36	CHR1A302	BUSHING , AC CORD	
37	CMX1A245	SHEET , TRANS	
38	CKF1A395Z	PANEL , REAR	
39	CMY1A308Z	HEATSINK	
40	Not in use		
41		USB PCB ASSY.....	United on PCBA-MAIN, refer to page 9
42	COP12112C	FRONT (KEY PAD) PCB ASSY	
43	CJDDA23Z1F	TRAVERSE UNIT , DA23Z1F	
44		CLOSE SW (REMOTE SENSOR) PCB ASSY.....	United on PCBA-FRONT, refer to page 16
45	CFLICG1602017BTLWA	LCD , IC-G160201-7BTLWA	
46	CDMCCM03030R139	MOTOR (CCM03030R139)	
47	COP12113D	MAIN PCB ASSY (40B/40HB)	
	COP12113F	MAIN PCB ASSY (40S)	
	COP12113C	MAIN PCB ASSY (40DABB)	
48		OPEN SW PCB ASSY.....	United on PCBA-FRONT, refer to page 16
49	CNVMW104MA1N51W	MODULE , TUNER (40B/40S/40HB)	
	CNVMW104FA1N51	MODULE , FM TUNER ONLY (40DABB)	
50	CNVFS2025V22A	MODULE , DAB, FS2025V22A (40DABB)	
51	Not in use		
52	CKADX40SWBEUR	SUBWOOFER CABINET ASSY (40B)	
	CKADX40SWSEUR	SUBWOOFER CABINET ASSY (40S)	
	CKADX40SWHBEUR	SUBWOOFER CABINET ASSY (40HB)	
	CKADX40DABSBUK	SUBWOOFER CABINET ASSY (40DABB)	
	└ CAS16LP286SEZ	WOOFER UNIT	
53		POWER PCB ASSY.....	United on PCBA-AMP, refer to page 13
54	▲ CLT5P049ZE	TRANS , POWER , EUR (230V, 50Hz) (40B/40S/40HB)	
	▲ CLT5P048ZE	TRANS , POWER , EUR (230V, 50Hz) (40DABB)	
55	▲ CJA2B043ZA	CORD , POWER (40B/40S/40HB) [EUR]	
	▲ CJA2E086Z	CORD , POWER (40DABB) [UK]	
56	▲ CSH1A009ZV	SWITCH, POWER MOMS	
57	COP12110C	AMP PCB ASSY (40B/40S/40HB)	Equivalent to COP12110B AMP PCB ASSY (40DABB) on MP
58	CTB3+8JR	SCREW	
59	CTS3+8JR	SCREW	
60	CTB1.7+2.3FR	SCREW	
61	CTS3+10JFC	SCREW Silver	
	CTS3+10JFB	SCREW Black	
62	CTS3+16JR	SCREW	
63	CTB3+8JFZR	SCREW	
64	CTB3+6JFZR	SCREW	
65	CTB35+22AFZR	SCREW (6X3.5X1.4P X22L Black)	
66	CTB4+10FFZR	SCREW	
67	CTBD3+8JFZR	SCREW	
68	CTB3+6FFZR	SCREW	
69	CTB3+10JFZR	SCREW	
70	CHD1A012R	SCREW , SPECIAL	



# MC-DX40/MC-DX40DAB

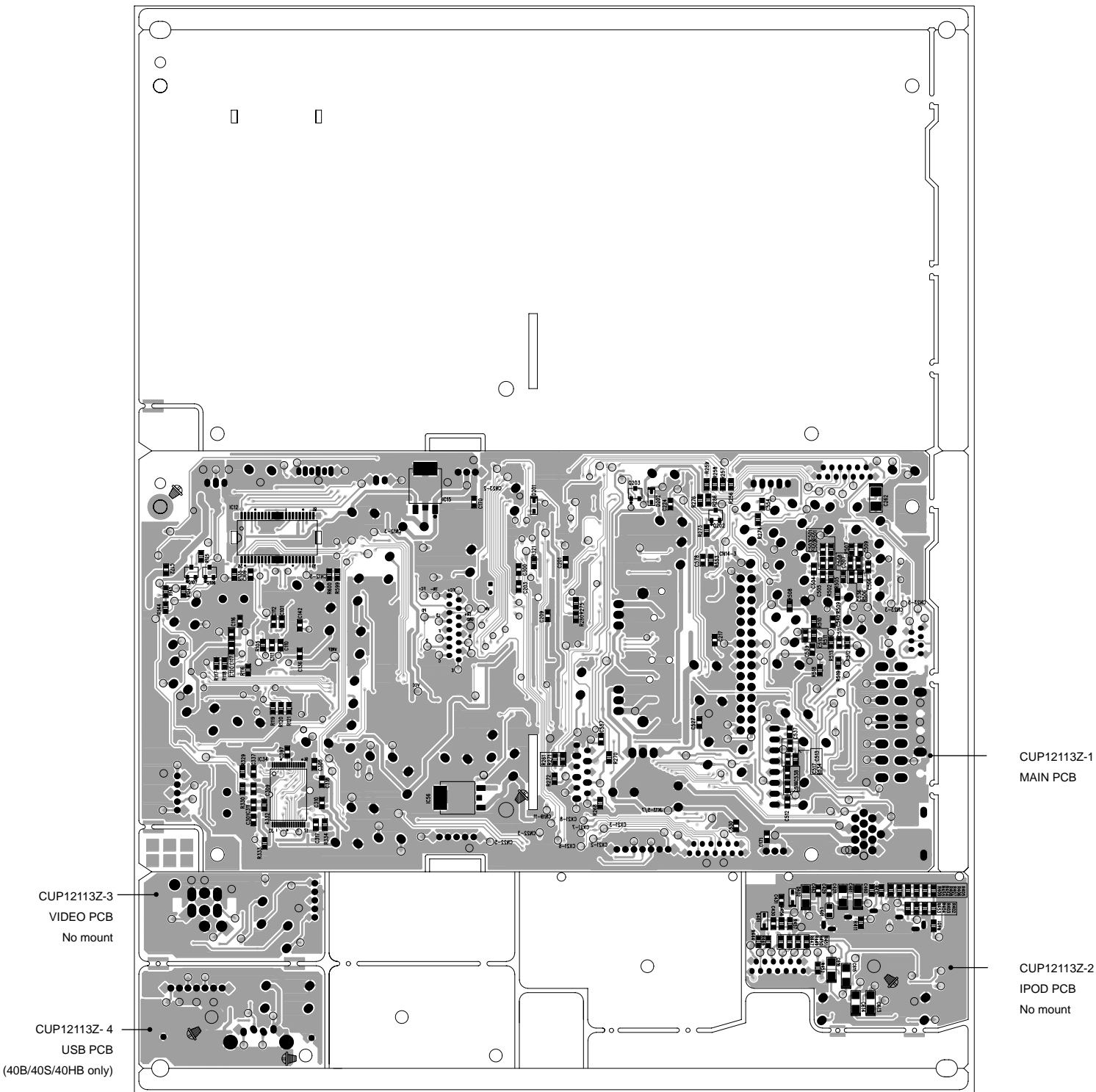
## 4 PC BOARDS AND PARTS LIST

### MAIN PCB , TOP



# MC-DX40/MC-DX40DAB

## MAIN PCB , BOTTOM



# MC-DX40/MC-DX40DAB

## MAIN PCB ASSY

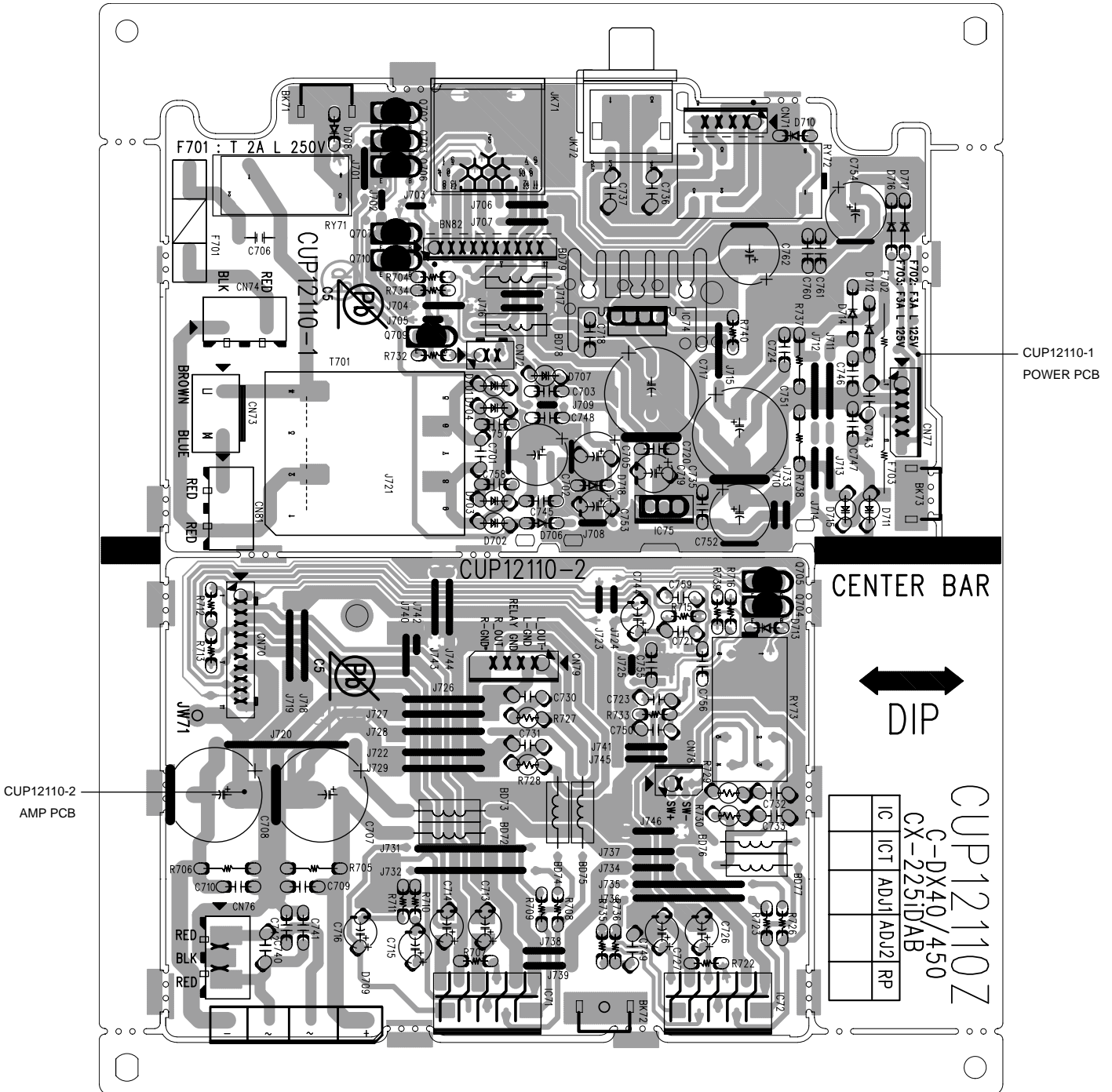
REF. NO.	PARTS NO.	DESCRIPTION	REMARKS
	COP12113D	MAIN PCB ASS'Y (40B/40HB)	
	COP12113F	MAIN PCB ASSY (40S)	
	COP12113C	MAIN PCB ASSY (40DABB)	
	CUP12113Z	PCB, MAIN	
	CUP12113Z-1	MAIN PCB	
C592	CCEA1EH102E	CAP , ELECT, 1000uF/25V	
C594	CCEA1CH222E	CAP , ELECT, 2200uF/16V	
C151,158,160,161 C166	CCEA1AH471T	CAP , ELECT, 470uF/10V	
C153,159,251 C152,157,162~164	CCEA1CKS101T	CAP , ELECT, 100uF/16V	
CN11	CJP16GA117ZY	WAFER , CD MECHA	
CN12	CJP06GA229ZB	WAFER . STRAIGHT(6P, 1.5MM)	
CN13	CJP02GB231ZB	WAFER , 2P(2MM)	
CN14	CJP05GB46ZY	WAFER	
CN16	CJP13GA117ZY	WAFER , CARD CABLE	
CN17	CJP03GB46ZY	WAFER , ANGLE(3PIN)	
CN19	CJP11GB116ZY	WAFER	
CN20	CJP05GB46ZY	WAFER	
CN21	CJP07GA19ZY	WAFER , STRAIGHT(7PIN)	
CN23	CJP07GB113ZY	WAFER , CARD CABLE	
D101,201,202	CVD1SS355T	DIODE , CHIP, 1SS355	
D203	HVDRB160L60TE25	DIODE , SCHOTTKY RB160L60TE25	
IC11	CVITC94A70FG	I.C , CD DSP, TC94A70FG	
IC12	HVITA2125AFG	I.C , MOTOR DRIVER , TA2125AFG	
IC13,55	CVIKIA1117S33	I.C , REGULATOR, KIA1117S33	
IC14	CVIKIA1117S15	I.C , REGULATOR, KIA1117S15	
IC15	CVIKIA7808AF	I.C , REGULATOR, KIA7808AF	
IC21	CVIANAM1426CR └ CVIT5CC1	I.C , U-COM MC-DX40(CVIT5CC1/TOSHIBA) I.C , FLASH U-COM, T5CC1	
IC22	CVIAT24C02NSU18	I.C , EEPROM (2K), AT24C02NSU18	
IC24	HVIRH5VT18C	I.C , RESET, RH5VT18C	
IC26	CVIKIA1117S00	I.C , REGULATOR, KIA1117S00 (40DABB only)	No mount on COP12113D/F (40B/S/HB)
IC27	CVIKIA1117S33	I.C , REGULATOR, KIA1117S33 (40DABB only)	No mount on COP12113D/F (40B/S/HB)
IC28	CVIKIA78R33F	I.C , REGULATOR, KIA78R33F	
IC31	CVIOTI2368	I.C , USB DECODER, OTI2368 (40B/S/HB only)	No mount on COP12113C (40DABB)
IC33	CVIRT9702APB	I.C , CURRENT LIMITER, RT9702APB (40B/S/HB only)	No mount on COP12113C (40DABB)
IC34	CVISSST39VF51270WH	I.C , FLUSH 512K, SST39VF51270WH (40B/S/HB only)	No mount on COP12113C (40DABB)
IC51	CVINJU7391V	I.C , FUNCTION + VOLUME, NJU7391V	
IC52	HVIBA4560RF	I.C , OP AMP, BA4560RF	
IC53	HVINJM4556AL	I.C , HEADPHONE, NJM4556AL	
IC56	BVIBA50BC0FP	I.C , REGULATOR CHIP , BA50BC0FP	
IC57	CVIMCDX40ZA └ HVIKIA7805API HVIKIA7808API CMY1A239 CTB3+8JR	HEATSINK ASS'Y (CMY1A239, 5V + 8V) I.C, REGULATOR, KIA7805API I.C , REGULATOR, KIA7808API HEATSINK SCREW	
IC59	HVIKIA7809API	I.C , REGULATOR KIA7809API	
JK13	CJJ6L001Z	JACK , DIN 13P	
JK21,51	HJJ2E027Z	JACK , HEADPHONE	
L101	CLQ09E100KRZ	COIL , CHIP(10uH, 3216)	
L102,104,203,204	CLZ9R001Z	FERRITE , CHIP BEAD(60ohm, 2012)	
Q101	HVTKTA1504SYRTK	T.R , CHIP, KTA1504SYRTK	
Q102,504,508,605	HVTKRC107S	T.R , CHIP, C107S	
Q103,201,503,507	HVTKRA107S	TR, CHIP, A107S	
Q104,105,501,502	HVTKTD1304T	T.R , CHIP , D1304T	
Q505,506,509~512			
Q106,107	HVTKTD1304T	T.R , CHIP, D1304	
Q203	HVTKRA107S	TR, CHIP, A107S	

# MC-DX40/MC-DX40DAB

REF. NO.	PARTS NO.	DESCRIPTION	REMARKS
X101	HOX16934A120C	CRYSTAL	
X201	HOX27000E180S	CRYSTAL , CHIP(27MHZ,SMD)	
X202	HOX00032K120I	CRYSTAL , 32.768KHZ	
X301	HOX12000E200C	12MHz CRYSTAL	
	CUP12113Z-2	iPOD PCB	
IC44		I.C, OP AMP, BA4560RF	No mount
S401, S402		SW , TACT	No mount
K41		CONNECTOR , IPOD(30P)	No mount
CY22		CARD CABLE , WAFER	No mount
	CUP12113Z-3	VIDEO PCB	
C656, C657		CAP , ELECT, 470uF/16V	No mount
JK61		JACK , S-VIDEO+CVBS(GOLD, 2P)	No mount
CN61		WAFER , STRAIGHT	No mount
	CUP12113Z-4	USB PCB ASS'Y	
CN21	CJP07GA19ZY	WAFER, STRAIGHT (7PIN)	No mount on COP12113C (40DABB)
C356	CCEA1HKS100T	CAP , ELECT , 10uF/50V	No mount on COP12113C (40DABB)
C357	CCEA1CKS101T	CAP , ELECT , 100uF/16V	No mount on COP12113C (40DABB)
JK31	CJJ9X006Z	JACK , USB STRAIGHT (40B/HB only)	No mount on COP12113C (40DABB)
	CJJ9X003Y	JACK, USB SILVER (40S only)	No mount on COP12113C (40DABB)
L302.303	CLZ9R001Z	FERRITE , CHIP BEAD (60ohm, 2012)	No mount on COP12113C (40DABB)

# MC-DX40/MC-DX40DAB

## AMP PCB



# MC-DX40/MC-DX40DAB

## AMP PCB ASSY

REF. NO.	PARTS NO.	DESCRIPTION	REMARKS
	COP12110C	AMP PCB ASSY (40B/40S/40HB)	Equivalent to COP12110B AMP PCB ASSY (40DABB) on MP
	CUP12110Z	PCB , POWER(AMP)	
BD78,79	CUP12110-1	POWER PCB	
	KLZ9H001Z	BEAD , CORE	
C702	CCEA1CH102E	CAP , ELECT, 100uF/50V	
C705	CCEA1CH471T	CAP , ELECT, 470uF/16V	
C717	CCEA1CH682E	CAP , ELECT, 6800uF/50V	
C719	CCEA1EH101T	CAP , ELECT, 100uF/25V	
C751	CCEA1EH332E	CAP , ELECT, 3300uF/25V	
C752,754,762	CCEA1EH102E	CAP , ELECT, 100uF/25V	
C753	CCEA1EH470T	CAP , ELECT, 47uF/25V	
CN72	CJP03GA19ZY	WAFER , STRAIGHT(3PIN)	
CN73	CJP02KA060ZY	WAFER	
CN74	CJP02GA89ZY	WAFER	
CN77	CJP05GA01ZY	WAFER(YMW025-05R)	
CN81	CJP02GA89ZY	WAFER	
D701~704	CVD1N4003SRT	DIODE , RECT, 1N4003SRT	
D706	CVD11EQS10GT	DIODE , SCHOTTKY (100V/1A)	
D707	CVD1N4003SRT	DIODE , RECT, 1N4003SRT	
D708,710	CVD1SS133MT	DIODE , 1SS133	
D711,715	CVD1N4003SRT	DIODE , RECT, 1N4003SRT	
D712,714,716,717	CVD1N4003ST	DIODE , RECT, 1N4003ST	
D718	CVD1SS133MT	DIODE , 1SS133	
F701	KJCF5S	HOLDER , FUSE	
	↳KBA2C2000TLEZ	FUSE , 2 AT - 250 V	
F702	KBA1A3000FAT	FUSE , SUBMINIAITURE	US
F703	KBA1A3000FAT	FUSE , SUBMINIAITURE	US
IC74	CVIKIA278R12PIBA	I.C HEATSINK ASS'Y(CMY3A222)	
	↳HVIKIA278R12PI	I.C , REGULATOR, KIA278R12PI	
	CMY3A222	HEATSINK	
	CTB3+8JR	SCREW	
IC75	HVIKIA7912PI	I.C , REGULATOR, KIA7912PI	
IC76	BVIBA50BC0FP	I.C , REGULATOR, BA50BC0FP	
JK71	CJJ6L001Z	JACK , DIN 13P	
Q702,703,706,707	HVTKRC107MT	T.R, C107M	
Q709,710			
Q703	HVTKRA102MT	T.R, A102M	
RY71	CSL1E002ZE	RELAY , AC POWER	
T701	CLT5I009ZE	TRANS , SUB CD6002/N	
BD72~77	CUP12110-2	AMP PCB	
	KLZ9H001Z	BEAD , CORE	
C707,708	CCEA1ERD332EH	CAP , ELECT, 3300uF/25V	
C713~716	CCEA1HH2R2T	CAP , ELECT, 2.2uF/50V	
C726,727	CCEA1HH4R7T	CAP , ELECT, 4.7uF/50V	
C755	CCEA1CH471T	CAP , ELECT, 470uF/16V	
CN70	CJP11GA19ZY	WAFER , STRAIGHT	
CN76	CJP03GA90ZY	WAFER	
CN78	CJP02GA01ZY	WAFER , STRAIGHT, 2PIN	
CN79	CJP05GA01ZY	WAFER(YMW025-05R)	
D709	HVDGBJ1006	DIODE , BRIDGE, GBJ1006	
D713	CVD1SS133MT	DIODE, 1SS133	
IC71,72	HVITDA7265	I.C , AMP, TDA7265	
Q704	HVTKRA102MT	T.R, A102M	

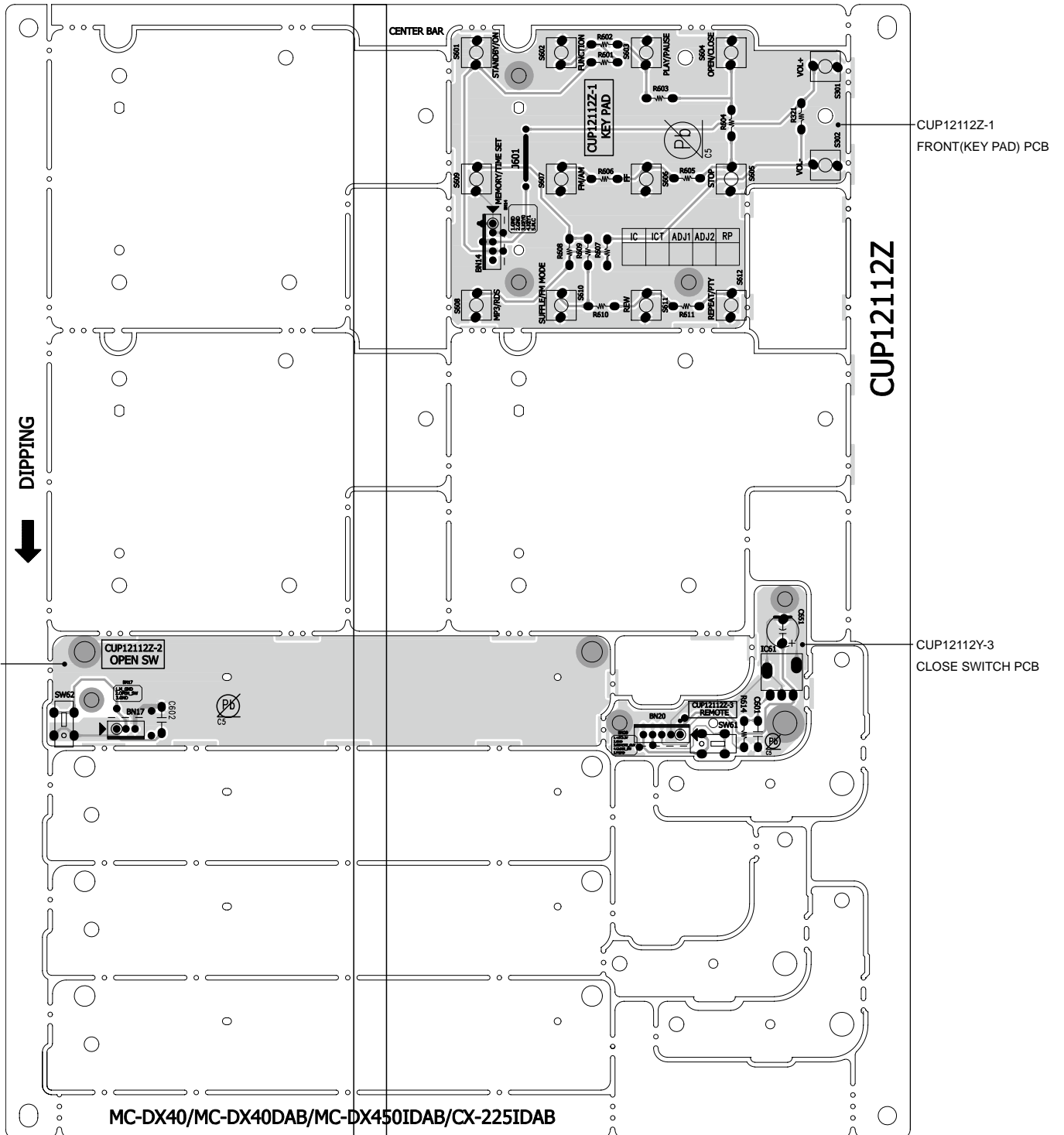
# MC-DX40/MC-DX40DAB

## AMP PCB ASSY

REF. NO.	PARTS NO.	DESCRIPTION	REMARKS
Q705	HVTKRC107MT	T.R, C107M	
RY72	CSL3A018ZE	RELAY , L/R NXT SPK	
RY73	CSL3A018ZE	RELAY , SUBWOOFER	
JK72	CJJ4N083Z	JACK , 2P RCA(W/R, SILVER PLATE)	

# MC-DX40/MC-DX40DAB

## FRONT PCB





# MC-DX40/MC-DX40DAB

## FRONT PCB ASSY

REF. NO.	PARTS NO.	DESCRIPTION	REMARKS
	COP12112C	FRONT PCB ASSY	
	CUP12112Z	PCB , FRONT	
S301,302,601~612	CUP12112Z-1	FRONT (KEY PAD) PCB	
	CST1A012ZT	SW , TACT	
SW62	CUP12112Y-2	OPEN SW PCB	
	CSH1A011Z	SW , DETECTOR(1C1P, SNAP IN, 5.2MM PITCH)	
IC6	CUP12112Y-3	CLOSE SW (REMOTE/SENSOR) PCB	
C651	CRVKSM603TH2E	SENSOR, REMOTE	
SW61	CCEA1CKS101T	CAP, ELECT, 100uF/16V	
	CSH1A011Z	SW, DETECTOR (1C1P)	

# MC-DX40/MC-DX40DAB

## 5 INCLUDED ACCESSORIES

### INCLUDED ACCESSORIES

PARTS NO.	DESCRIPTION	REMARKS
CARTMCDX40	REMOTE CONTROL UNIT RC-1195 (40B/40S/40HB)	
CARTMCDX40DAB	REMOTE CONTROL UNIT RC-1200 (40DABB) └ BATTERY CR2025 (Supplied with Remote control units)	
CQX1A1384Z	MANUAL , INSTRUCTION - EGNS (40B/40S)	
CQX1A1419Z	MANUAL , INSTRUCTION - FI (40S/40HB)	
CQX1A1385Z	MANUAL , INSTRUCTION - E (40DABB)	
CQE1A415Z	SHEET , QUICK GUIDE - 6L (40B/40S/40HB)	
CQE1A416Z	SHEET , QUICK GUIDE - E (40DABB)	
CQE1A420Z	SHEET , GUIDE MOUNT(M)	
CSA1A018Z	FM 1 POLE ANT	
CSA1A037Z	ANT , AM (40B/40S/40HB only)	
CJS4M037Z	CORD , 1P PIN(2150MM, RED, ANGLE)	
CJS4M038Z	CORD , 1P PIN(2150MM, WHITE, ANGLE)	
CJS6L001Z	CABLE , SUBWOOFER DIN 13P BLACK , 2M (40B/40HB/40DABB)	
CJS6L002Z	CABLE , SUBWOOFER DIN 13P SILVER , 2M (40S)	
CMD1A689Z	BRACKET, WALL NXT SPEAKER	
CTB3+6FFZR	SCREW	
CMH1A292B38	BRACKET, WALL MAIN UNIT (40B/40S/40HB)	
CMH1A292M7G5	BRACKET, WALL MAIN UNIT (40S)	
CHG1A425	CUSHION, WALL	
CTW3+8JR	SCREW	

# MC-DX40/MC-DX40DAB

---

# TEAC

---

SKTE-SM0904006

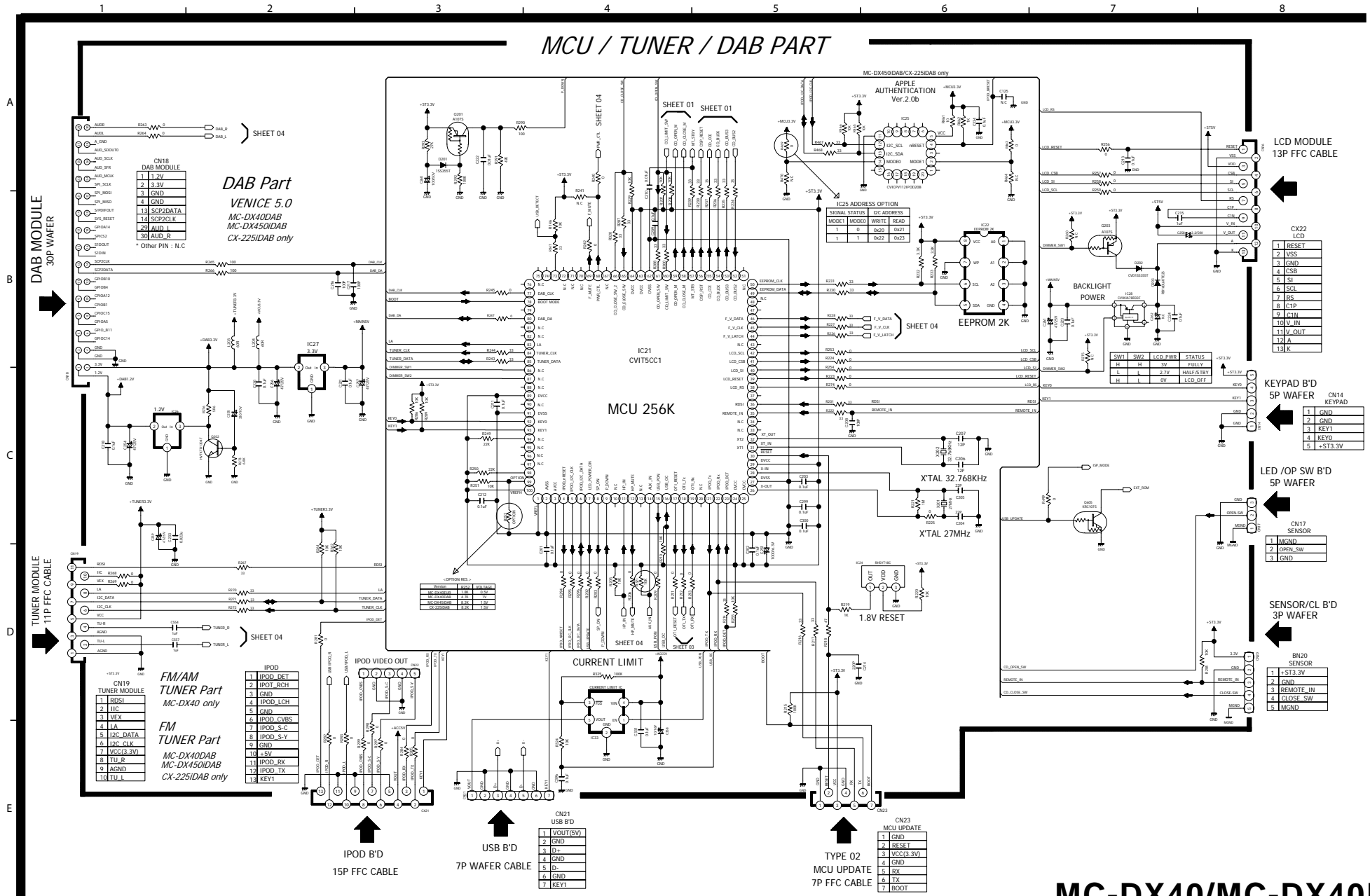
---

<b>TEAC CORPORATION</b>	1-47, Ochiai, Tama-shi, Tokyo 206-8530, Japan Phone: (042) 356-9155
TEAC AMERICA, INC.	7733 Telegraph Road, Montebello, California 90640 Phone: (323) 726-0303
TEAC CANADA LTD.	5939 Wallace Street, Mississauga, Ontario L4Z 1Z8, Canada Phone: (905) 890-8008
TEAC MEXICO, S.A. De C.V	Río Churubusco 364, Colonia Del Carmen, Delegación Coyoacán, CP 04100, México DF, México Phone:(5255)5010-6000
TEAC UK LIMITED	Unit 19 & 20, The Courtyards, Hatters Lane, Watford, Hertfordshire, WD18 8TE, U.K. Phone: (0845) 130-2511
TEAC EUROPE GmbH	Bahnstrasse 12, 65205 Wiesbaden-Erbenheim, Germany Phone: 0611-71580

---

April 2009

PREPARED IN CHINA



**DAB Part**  
**VENICE 5.0**  
 MC-DX40DAB  
 MC-DX450DAB  
 CX-225DAB only

CN18  
**DAB MODULE**

1	1.2V
2	3.3V
3	GND
4	GND
5	SFP_MISO
6	SFP_MOSI
7	SFP_CS
8	SFP_SCK
9	SFP_RST
10	SFP_GND
11	SFP_GND
12	SFP_GND
13	SCP2DATA
14	SCP2CLK
15	AUD_L
16	AUD_R
17	GND
18	GND
19	GND
20	GND
21	GND
22	GND
23	GND
24	GND
25	GND
26	GND
27	GND
28	GND
29	GND
30	AUD_R

\* Other PIN - N.C

CN19  
**TUNER MODULE**

1	RDS1
2	LIC
3	CLK
4	LA
5	I2C_DATA
6	I2C_CLK
7	VCC(3.3V)
8	TU_R
9	AGND
10	TU_L

**FM/AM TUNER Part**  
 MC-DX40 only

**FM TUNER Part**  
 MC-DX40DAB  
 MC-DX450DAB  
 CX-225DAB only

**IPOD**

1	IPOD_DET
2	IPOD_RCH
3	GND
4	IPOD_LCH
5	GND
6	IPOD_CVBS
7	IPOD_S-C
8	IPOD_S-Y
9	GND
10	-5V
11	IPOD_RX
12	IPOD_TX
13	KEY1

**IPOD VIDEO OUT**

1	VIDEO_DET
2	VIDEO_RCH
3	VIDEO_LCH
4	VIDEO_CVBS
5	VIDEO_S-C
6	VIDEO_S-Y
7	GND
8	GND
9	GND
10	GND
11	GND
12	GND
13	GND

CN21  
**USB B'D**

1	VOUT(GV)
2	GND
3	D-
4	GND
5	D+
6	GND
7	KEY1

CN23  
**MCU UPDATE**

1	GND
2	RESET
3	VCC(3.3V)
4	GND
5	R2
6	TX
7	BOOT

CX22  
**LCD**

1	RESET
2	VSS
3	GND
4	CSB
5	SI
6	SCL
7	RS
8	CSIP
9	CIN
10	V_IN
11	V_OUT
12	A
13	B
14	K

CN14  
**KEYPAD**

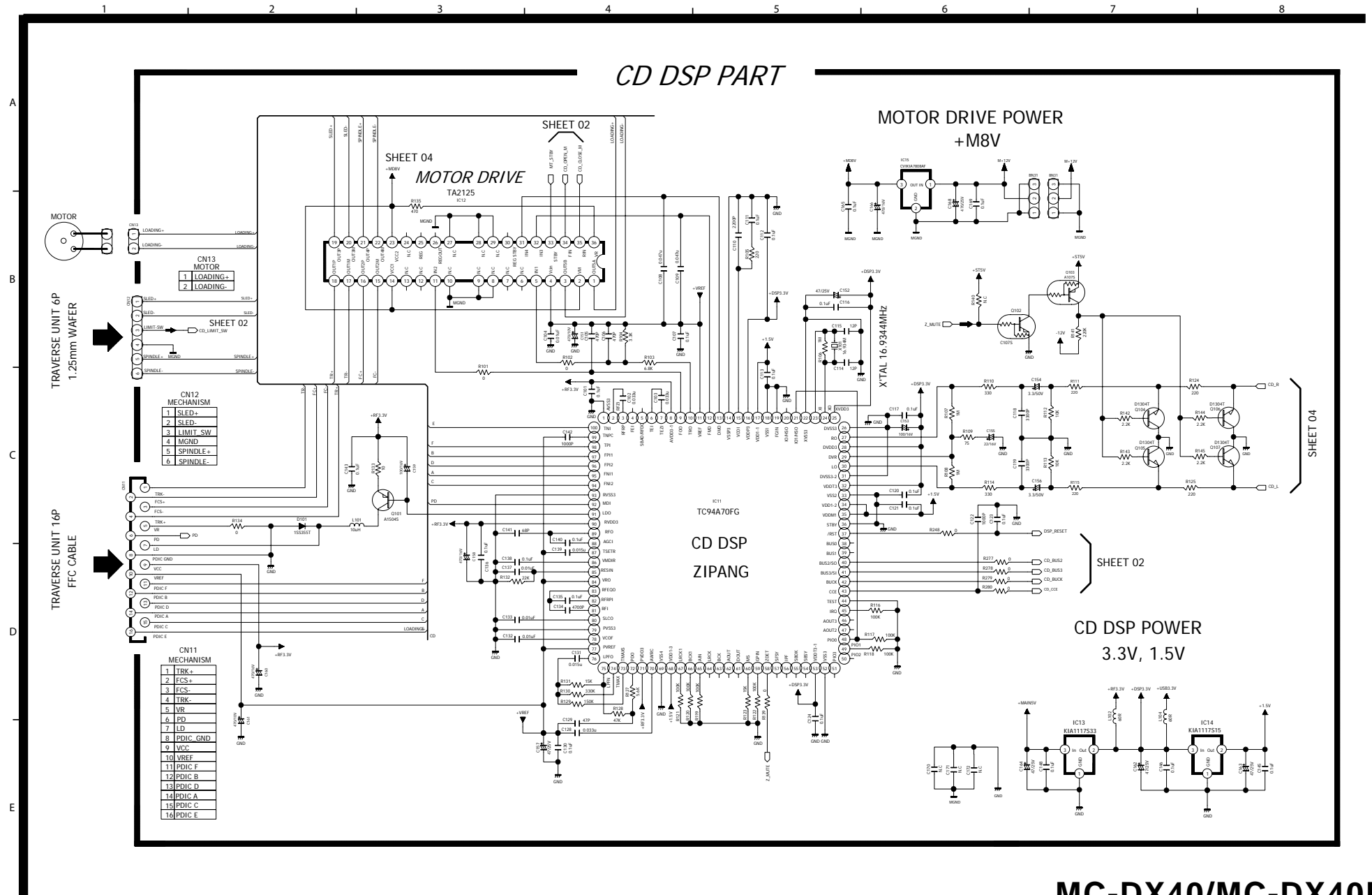
1	GND
2	GND
3	KEY1
4	KEY0
5	+ST3.3V

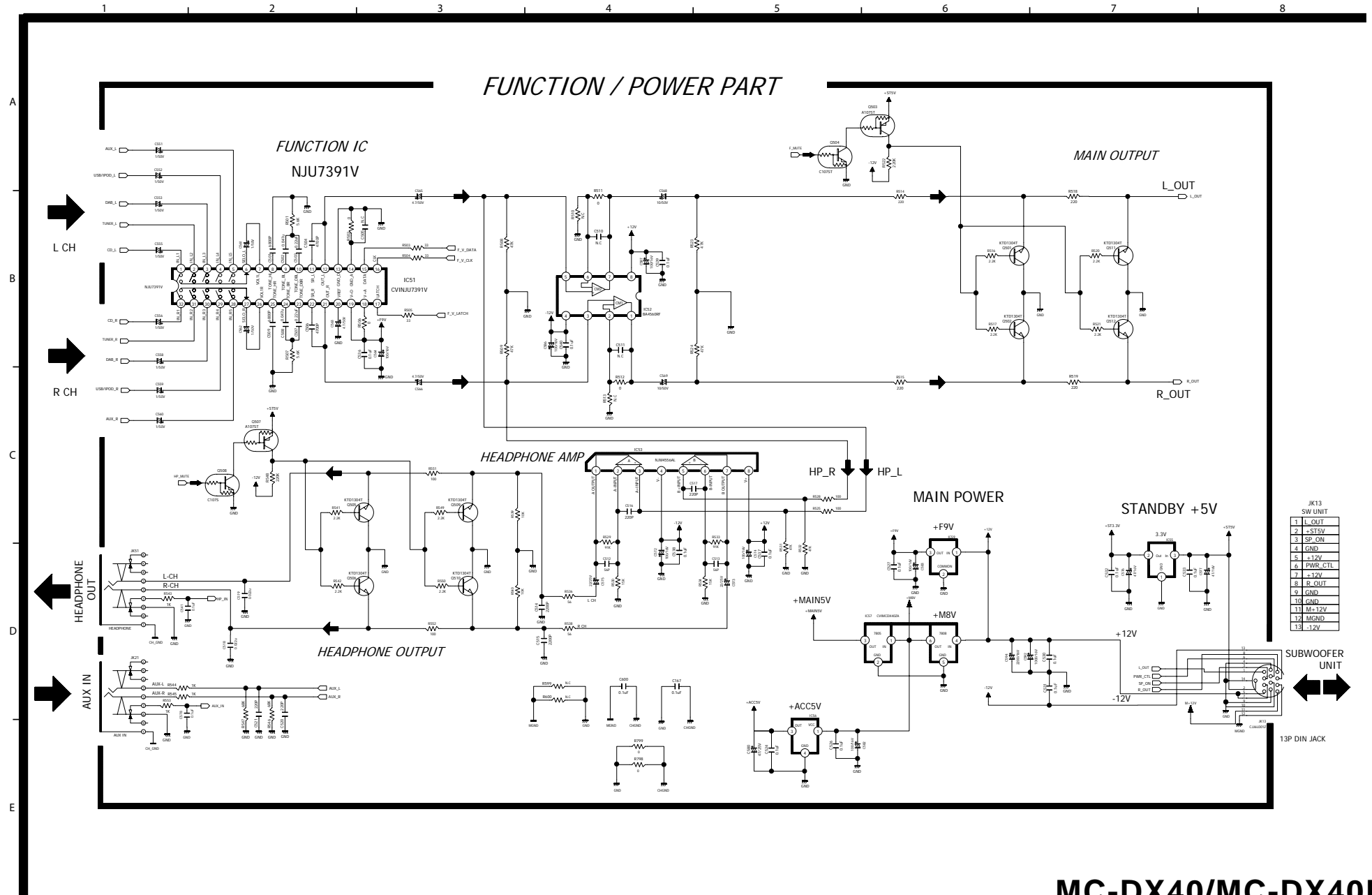
CN17  
**SENSOR**

1	GND
2	OPEN_SW
3	GND

BN20  
**SENSOR**

1	+ST3.3V
2	GND
3	REMOTE_IN
4	CLOSE_SW
5	MGND





JK13 SW UNIT

1	L_OUT
2	+5V
3	SP_ON
4	GND
5	+12V
6	PWR_CTL
7	+12V
8	R_OUT
9	GND
10	GND
11	M-12V
12	M-GND
13	-12V

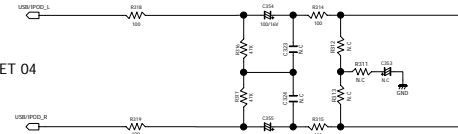
1 2 3 4 5 6 7 8

A  
B  
C  
D  
E

**USB PART**

*MC-DX40 only*

SHEET 04

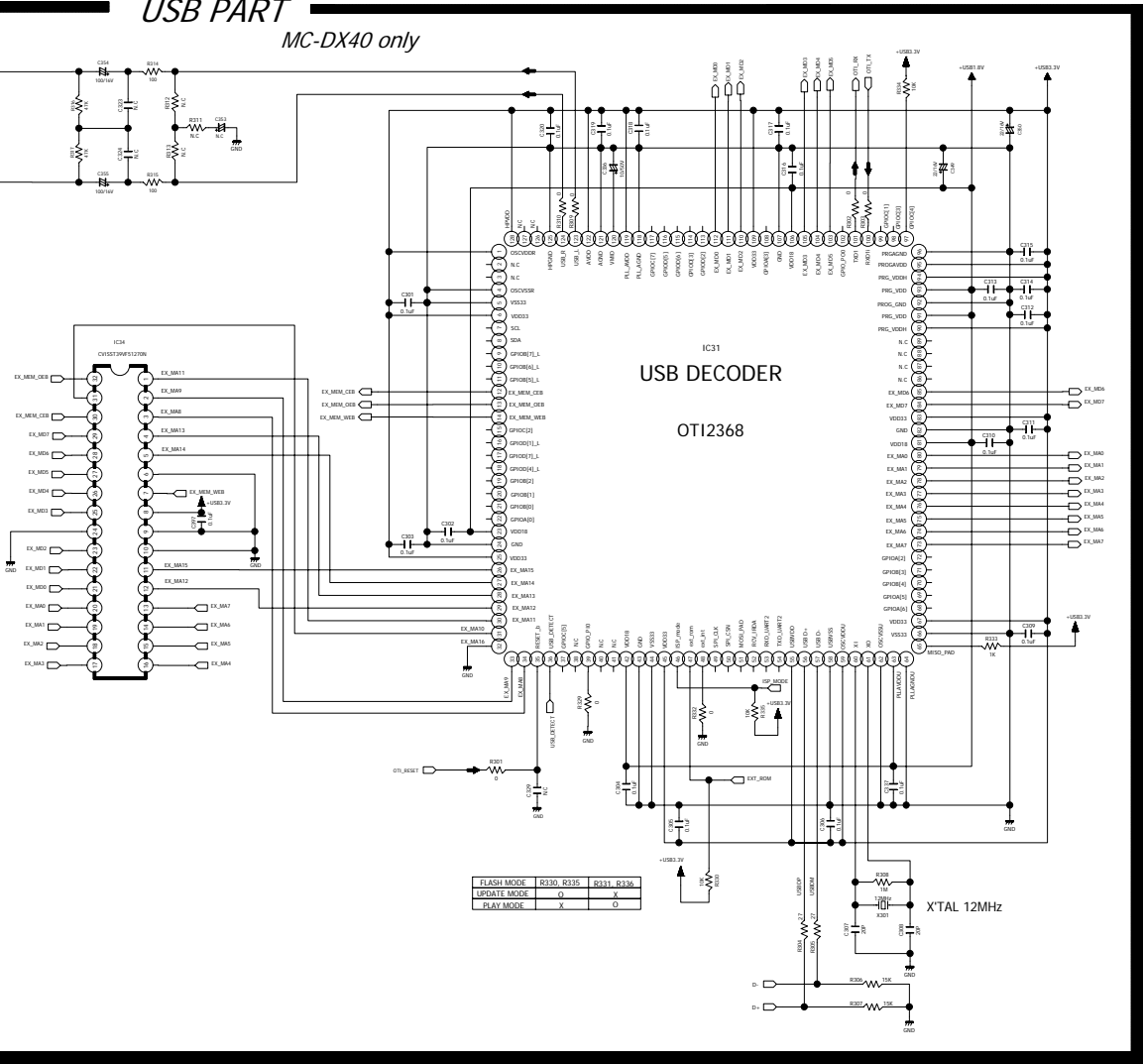
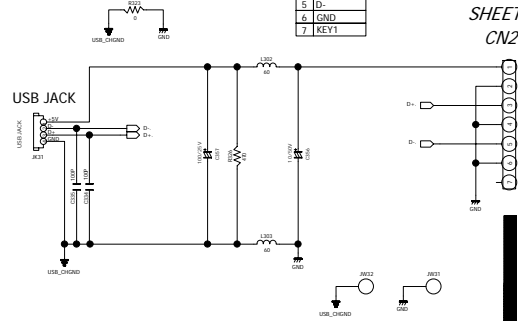


**USB B'D (CUP12113Z-4)** *MC-DX40 only*

BN21  
USB B'D

1	VOUT(5V)
2	GND
3	D-
4	GND
5	D+
6	GND
7	KEY1

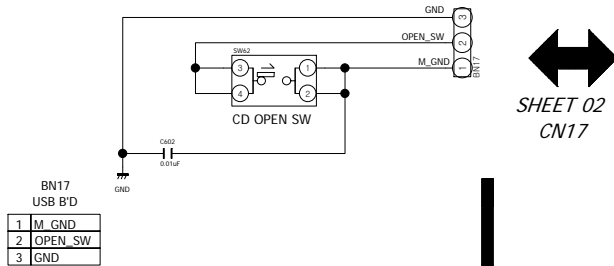
SHEET 02  
CN21



1 2 3 4 5 6 7 8

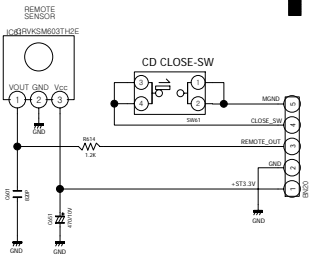
A  
B  
C  
D  
E

*OPEN SWITCH B'D*  
(CUP12112Y-2)



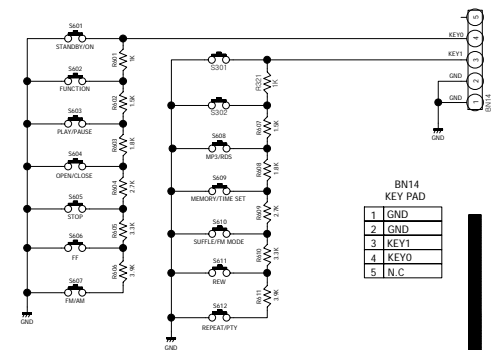
↔  
SHEET 02  
CN17

*SENSOR B'D*  
(CUP12112Y-3)



➔  
SHEET 02  
BN20

*KEY PAD B'D*  
(CUP12112Y-1)

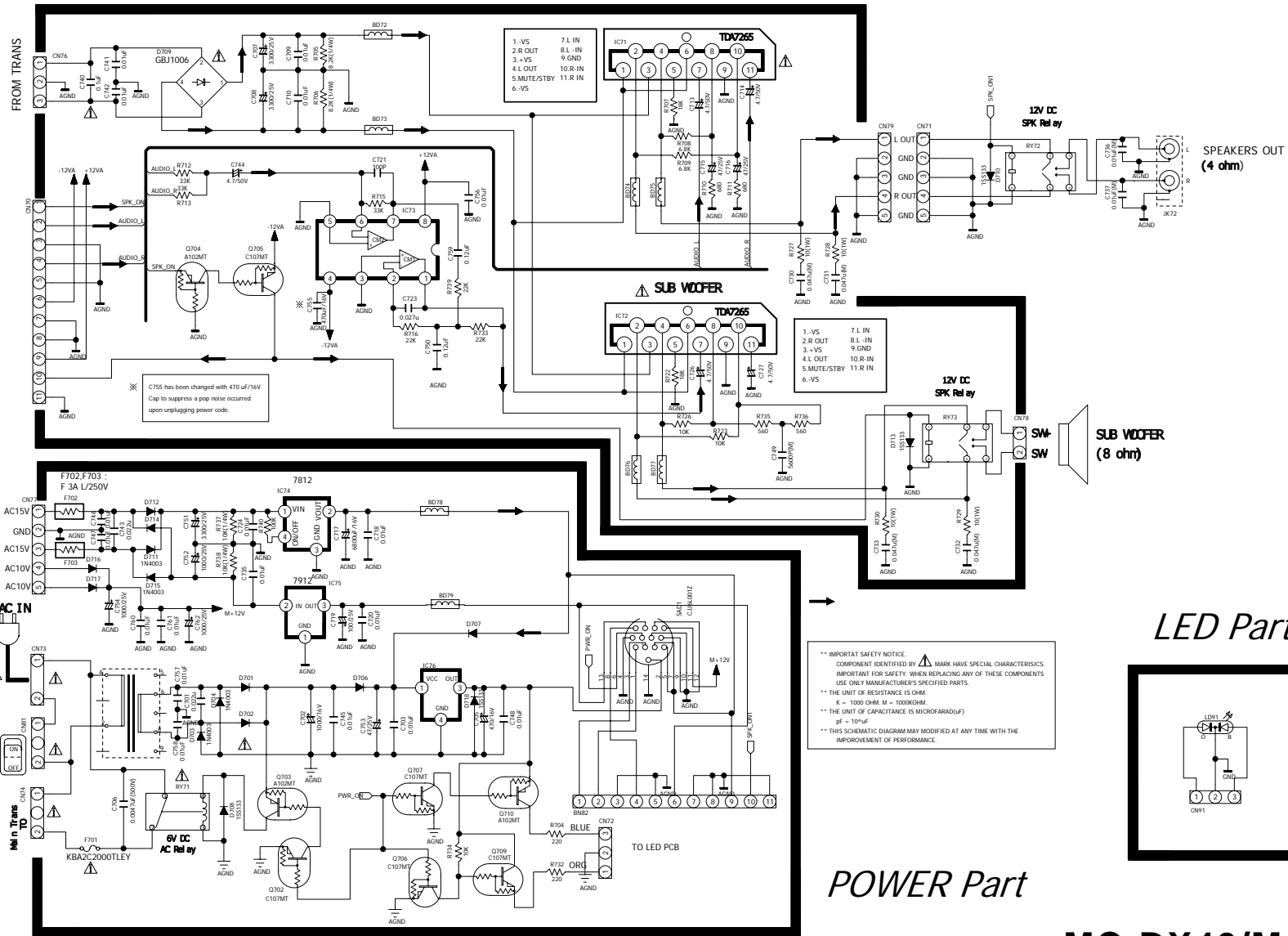


➔  
SHEET 02  
CN14



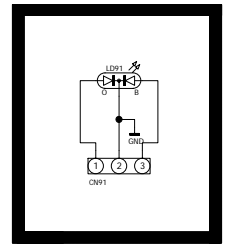
1 2 3 4 5 6 7 8

*AMP Part*



**IMPORTANT SAFETY NOTICE.**  
 COMPONENT IDENTIFIED BY MARK HAVE SPECIAL CHARACTERISTICS.  
 IMPORTANT FOR SAFETY: WHEN REPLACING ANY OF THESE COMPONENTS USE ONLY MANUFACTURER'S SPECIFIED PARTS.  
 \*\* THE UNIT OF RESISTANCE IS OHM.  
 \*\* THE UNIT OF CAPACITANCE IS MICROFARAD(μF)  
 pf = 10<sup>-6</sup>μF  
 \*\* THIS SCHEMATIC DIAGRAM MAY MODIFIED AT ANY TIME WITH THE IMPROVEMENT OF PERFORMANCE.

*LED Part*



*POWER Part*